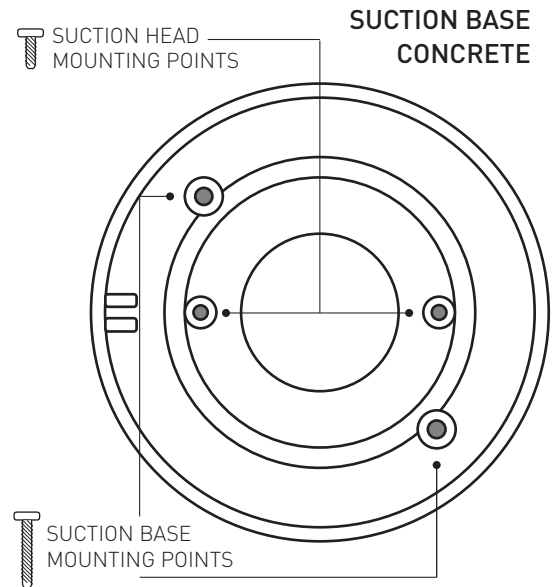
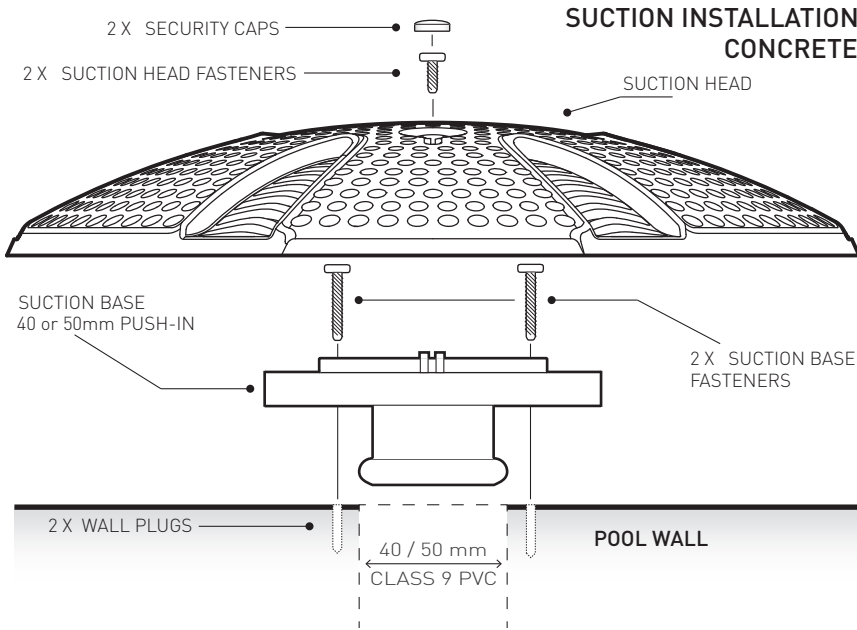


PRO SUCTION

INSTALLATION GUIDE

CONCRETE INSTALLATION

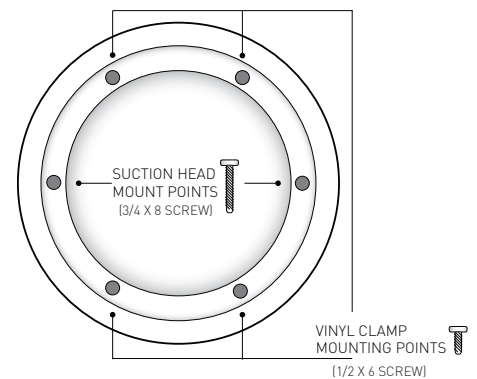
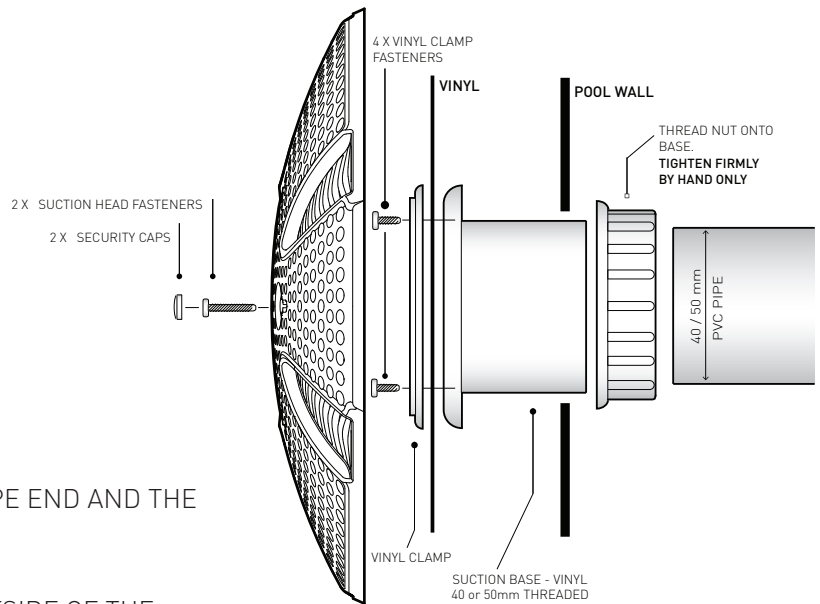


VINYL INSTALLATION

1. USING A HOLE SAW, CUT A HOLE IN THE DESIRED LOCATION.

SUCTION PIPE SIZE	HOLESAW SIZE
40MM	65MM[2-9/8"]
50MM	76MM[3"]

2. INSERT THE SUCTION BASE IN THE PREVIOUSLY CUT HOLE FROM THE INSIDE OF THE POOL. LOCK IN PLACE USING THE WHITE THREADED NUT, TIGHTEN FIRMLY BY HAND ONLY.
3. CLEAN AND PRIME THE OUTSIDE OF THE PIPE END AND THE INSIDE OF THE SUCTION BASE.
4. COAT THE INSIDE OF THE PIPE AND THE OUTSIDE OF THE SUCTION BASE USING NON-PRESSURE (TYPE-N) PVC CEMENT.
5. PUSH THE PIPE INTO THE INTO THE SUCTION BASE UNTIL THE PIPE IS FULLY SEATED.
6. ONCE THE VINYL LINER HAS BEEN INSTALLED IN THE POOL, PLACE THE VINYL CLAMP OVER THE SUCTION BASE AND ALIGN THE 6 SCREW HOLES ON BOTH PARTS.
7. FASTEN THE VINYL CLAMP TO THE SUCTION BASE USING THE 4 x 1/2x6 SCREWS PROVIDED.
8. PLACE THE SUCTION COVER OVER THE VINYL CLAMP AND FASTEN IN PLACE USING THE 2 x 3/4x8 SCREWS. PRESS FIT SECURITY CAPS OVER MOUNTING SCREWS.



FIBREGLASS INSTALLATION

1. USING A HOLE SAW, CUT A HOLE IN THE DESIRED LOCATION.

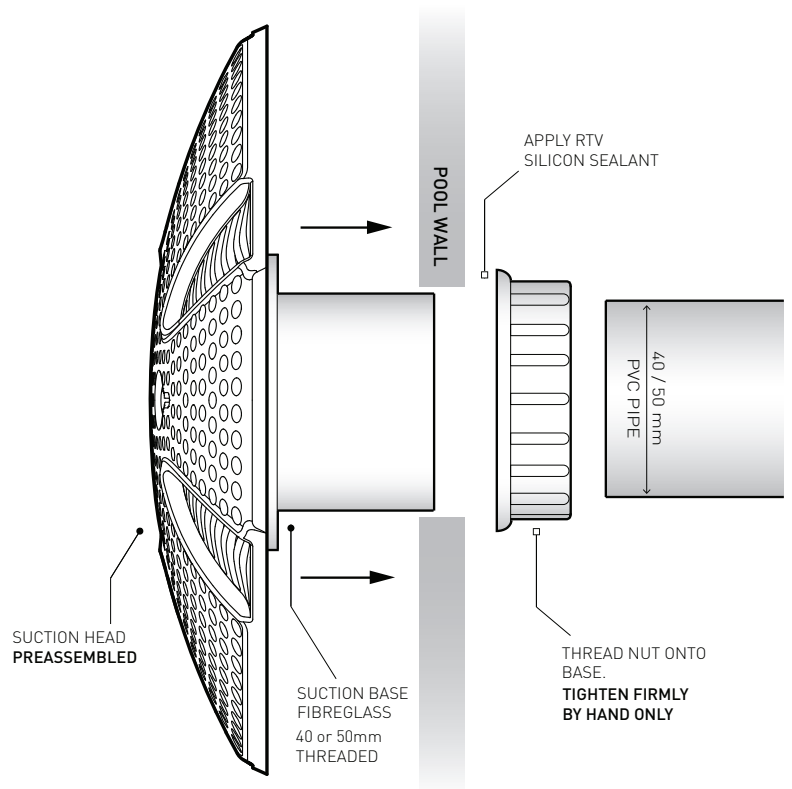
SUCTION PIPE SIZE	HOLESAW SIZE
40MM	65MM(2-9/8")
50MM	76MM(3")

2. INSERT THE SUCTION BASE IN THE PREVIOUSLY CUT HOLE FROM THE INSIDE OF THE POOL. LOCK IN PLACE USING THE WHITE THREADED NUT, TIGHTEN FIRMLY BY HAND ONLY.

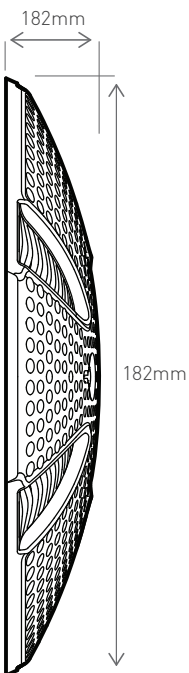
3. CLEAN AND PRIME THE OUTSIDE OF THE PIPE END AND THE INSIDE OF THE SUCTION BASE.

4. COAT THE INSIDE OF THE PIPE AND THE OUTSIDE OF THE SUCTION BASE USING NON-PRESSURE (TYPE-N) PVC CEMENT.

5. PUSH THE PIPE INTO THE INTO THE SUCTION BASE UNTIL THE PIPE IS FULLY SEATED.



IMPORTANT INFORMATION



ALL PRO-SERIES SUCTIONS HAVE BEEN TESTED & CONFORM TO **AS/NZS 1926.3.2010** STANDARD.

SPA ELECTRICS RECOMMENDS ALL INSTALLERS ARE FAMILIAR WITH **AS/NZS 1926.3.2010** STANDARD PRIOR TO INSTALLATION.

IT IS THE RESPONSIBILITY OF THE INSTALLER TO ENSURE MAXIMUM FLOW RATES(420LPM) ARE **NOT** EXCEEDED.

PRO-SERIES SUCTIONS HAVE BEEN PERMANENTLY MARKED WITH APPROVED TEST DATA IN ACCORDANCE WITH **AS/NZS 1926.3.2010** STANDARD.

ALL PRO-SERIES SUCTIONS MUST BE PERMANENTLY FIXED TO THE POOL WALL, TO PREVENT REMOVAL WITHOUT THE USE OF TOOLS. [IN ACCORDANCE WITH **AS/NZS1926.3.2010**]

ANY MODIFICATION TO THIS DEVICE OR ITS INSTALLATION WILL VOID ITS COMPLIANCE CERTIFICATION & STATUTORY WARRANTY AND AFFECT THE SAFETY OF THE UNIT.

SPA ELECTRICS RECOMMENDS THE USE OF CLEAR PVC CEMENT. SPA ELECTRICS DOES NOT RECCOMEND THE USE OF PRESSURE(TYPE -P) PVC CEMENT AS THIS TYPE OF SOLVENT MAY HAVE AN EFFECT ON THE PERFORMANCE OF THE SUCTION.

FOR ASSISTANCE PLEASE CONTACT **SPA ELECTRICS**

ph: +61 3 9793 2299
info@spaelectrics.com.au
www.spaelectrics.com.au

