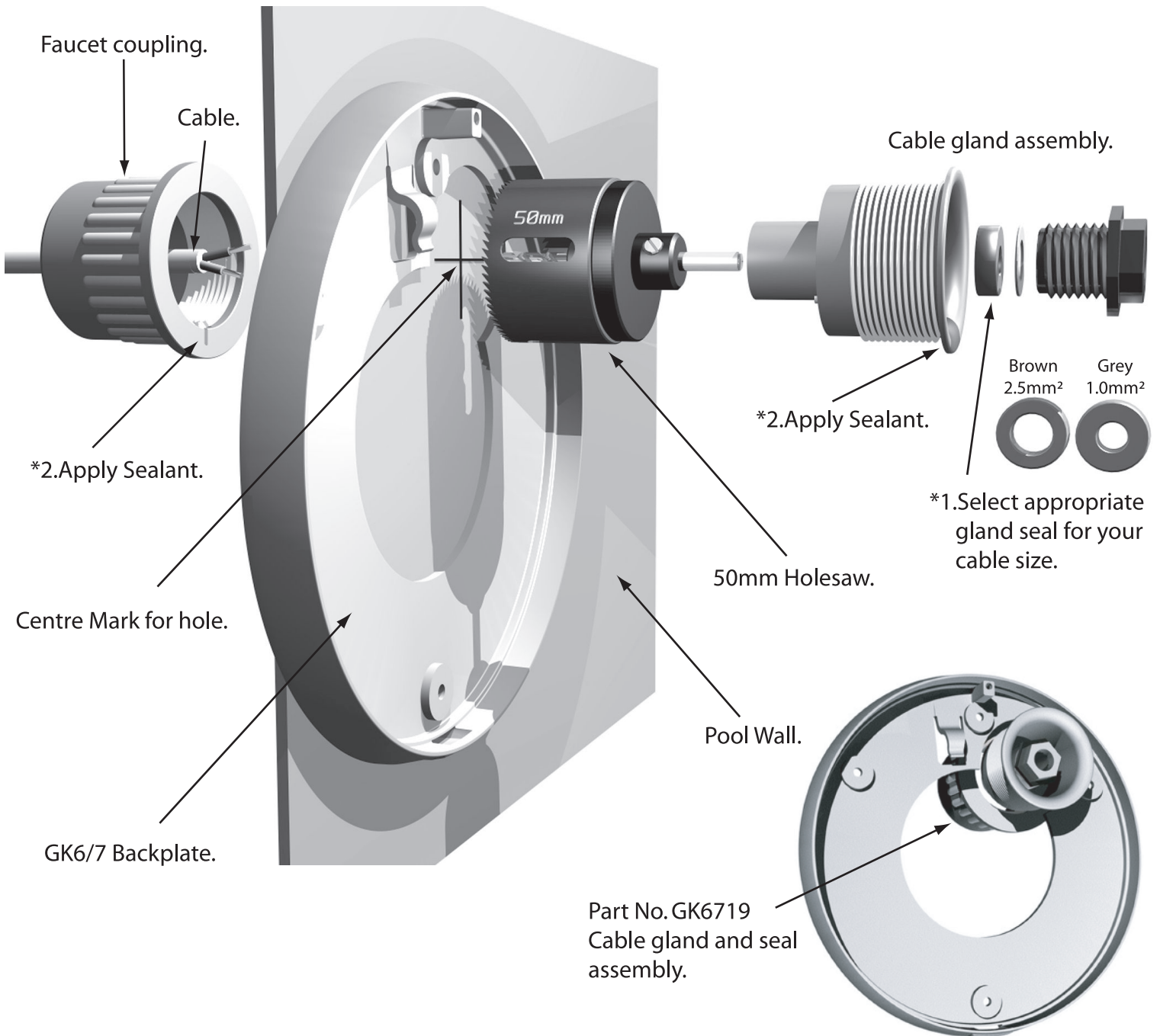


MODEL GK6719

fibreglass mounting kit for Pools and Spas .



Instructions:

1. Using the GK6/7 Backplate as a template mark the centre for the hole to be drilled.
2. Drill the required hole using a 50mm holesaw.
3. Apply a bead of sealant to the inner lip of the cable gland assembly and to the face of the faucet coupling.
4. Fit the Cable gland assembly through the hole in the pool wall and tighten.
5. Mount the GK6/7 Backplate to the Pool wall using ONLY the supplied fixings.
6. Pass 1m of cable through the gland assembly into the pool and tighten the gland nut.

*Important Notes:

1. Ensure that you select and fit the appropriate sized gland seal to the Cable gland assembly to enable a watertight seal around your sized cable.
2. When using a silicone based sealant, only use a neutral cure silicone for sealing of plastics, if a neutral cure type is not used the warranty may be voided.
3. For pipe cement use only 'N' type cement as other types may cause damage to pipes.